



**ATELIER  
ALAIN  
ELLOUZ**



**ALIX** <sup>US</sup>

.édition

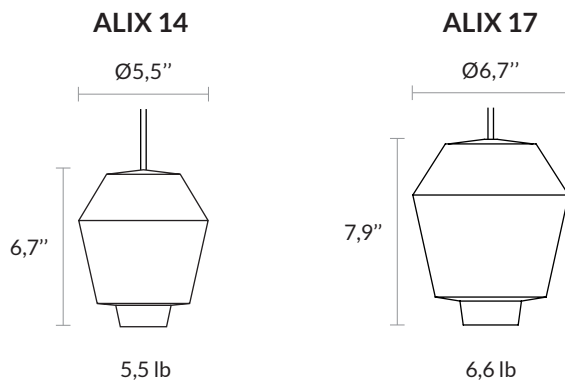


ATELIER ALAIN ELLOUZ  
PARIS

# ALIX<sup>®</sup> (US)

.édition

## PENDANT LIGHT



ALIX<sup>®</sup>  
DESIGN BY ATELIER ALAIN ELLOUZ  
MADE IN FRANCE

|                    |   |
|--------------------|---|
| <b>MATERIALS</b>   | Alabaster   |
| <b>ACCESSORIES</b> | Black canopy Ø5"<br>78" of black textile cable                        |
| <b>SOCKET</b>      | E12<br>Recommended bulb :<br>LED bulb E12 4,5W 2700K 400lm - Dimmable |
| <b>REFERENCE</b>   | ALIX 14 : ED-0050<br>ALIX 17 : ED-0018<br>Available in CE version     |
| <b>WARRANTY</b>    | 2 years warranty  |

