

PRODUCT SHEET



ATELIER  
ALAIN  
ELLOUZ



LAB S51<sup>US</sup>

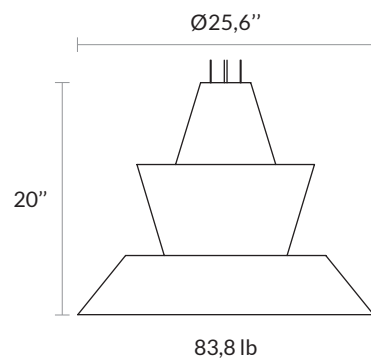
.édition



ATELIER ALAIN ELLOUZ  
PARIS

# LAB S51<sup>US</sup> .édition

## PENDANT LIGHT



LAB S51<sup>®</sup>  
DESIGN BY ATELIER ALAIN ELLOUZ  
MADE IN FRANCE

### MATERIALS

Alabaster

### ACCESSORIES

Black canopy  $\text{Ø}5,3''$ , 78" of transparent electric cable with 3 suspension stainless steel wire rope

### SOCKET

E26  
Recommended bulb :  
LED bulb E26 9W 2700K 750 lm - Dimmable

### REFERENCE

ED-0071  
UL certified (also available in European version)

### WARRANTY

2 years warranty



Non contractual pictures